

TECHNICAL BULLETIN

N 78 - 2018. 09

E97

NEW PROFILES FOR VARIO LAMELLA
LAMELLA 250MM AND BOTTOM PROFILE

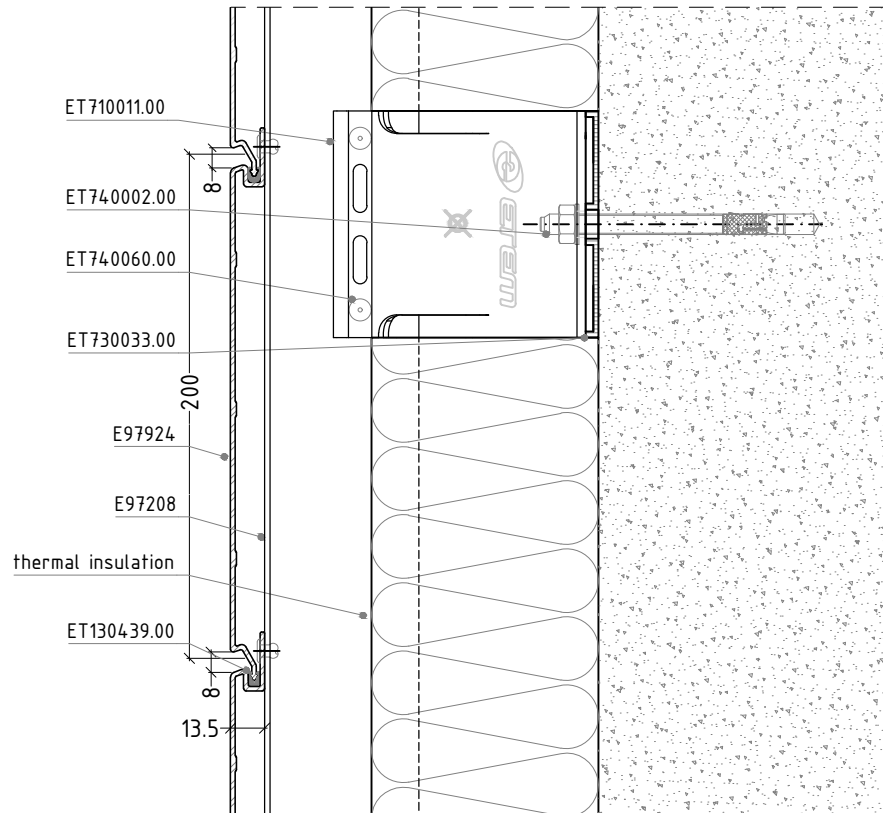
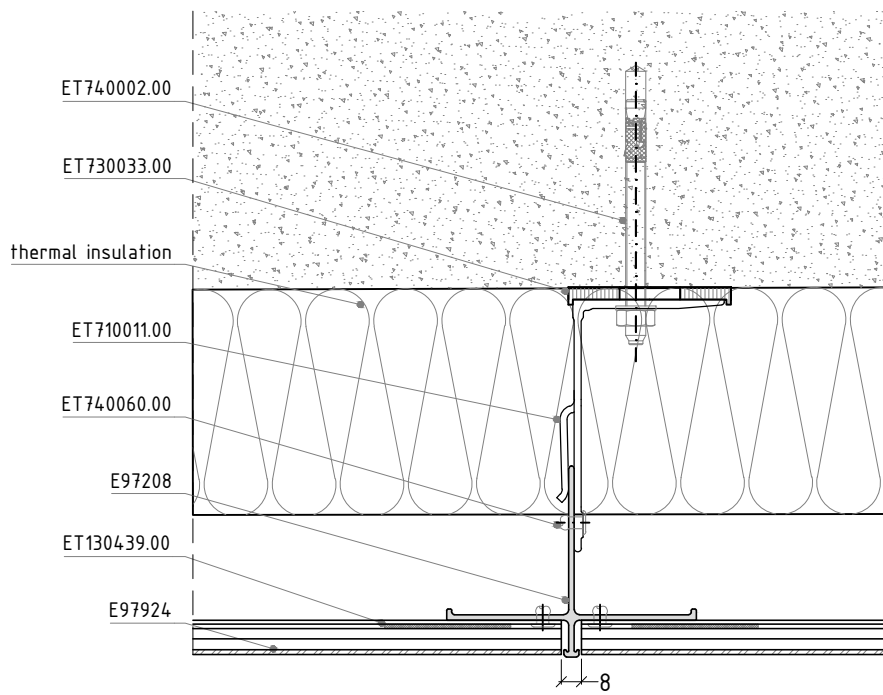
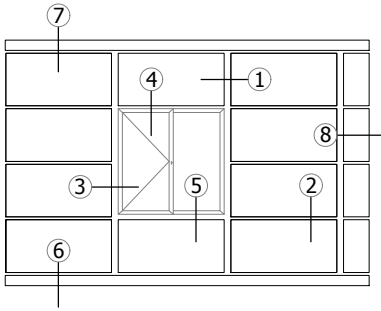
content:

- PROFILES
- PROFILES 1:1
- DETAILS
- ACCESSORIES

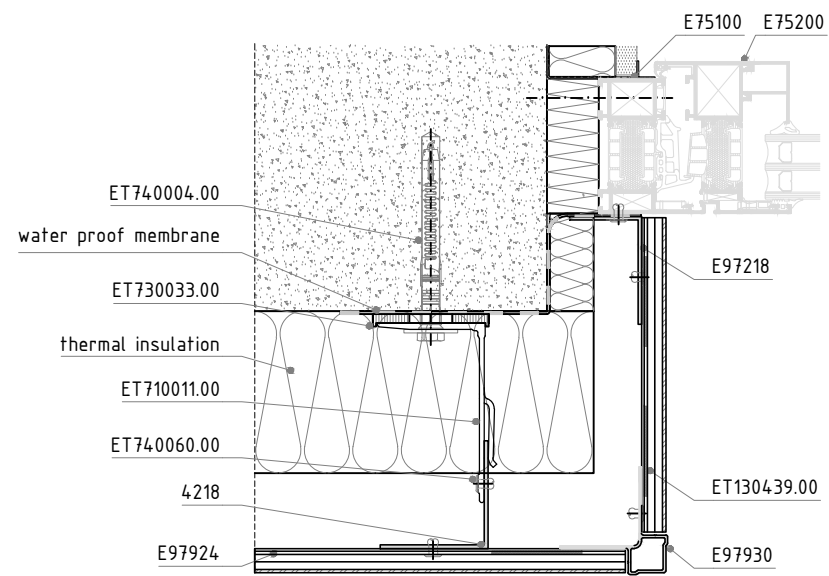
ETEM

| code | profile | weight length moment of inertia | code | profile | weight length moment of inertia |
|--------------------------|---------|------------------------------------------------------------------------------------------------------------|-------------------------------------------------------------------------------------|---------|---------------------------------------------------------------------------------------------------------|
| E 97208 main profile | | 1087 g/m L=6.01 m I _x =13.08 cm ⁴ I _y =19.98 cm ⁴ | 4131 main profile | | 423 g/m L=6.01 m I _x =2.47 cm ⁴ I _y =2.47 cm ⁴ |
| E 97004 main profile | | 646 g/m L=6.01 m I _x =8.67 cm ⁴ I _y =7.26 cm ⁴ | E 97229 horizontal corner profile | | 541 g/m L=6.01 m |
| E 97218 main profile | | 567 g/m L=6.01 m I _x =2.96 cm ⁴ I _y =7.92 cm ⁴ | E 97230 vertical corner profile | | 655 g/m L=6.01 m |
| 4049 main profile | | 596 g/m L=6.01 m I _x =5.50 cm ⁴ I _y =8.52 cm ⁴ | E97924 lamella - 200mm E97930 lamella - 210mm E97931 lamella - 250mm | | 1241 g/m L=6.01 m 1361 g/m L=6.01 m 1361 g/m L=6.01 m |
| 4218 main profile | | 640 g/m L=6.01 m I _x =8.56 cm ⁴ I _y =8.56 cm ⁴ | ET130439.00 silicone gasket ET730040.00 silicone gasket pack | | 1000mm length 500 pcs |
| LP055501 main profile | | 591 g/m L=6.01 m I _x =6.6 cm ⁴ I _y =6.6 cm ⁴ | E-97228 | | 383 g/m L=6.01 m |

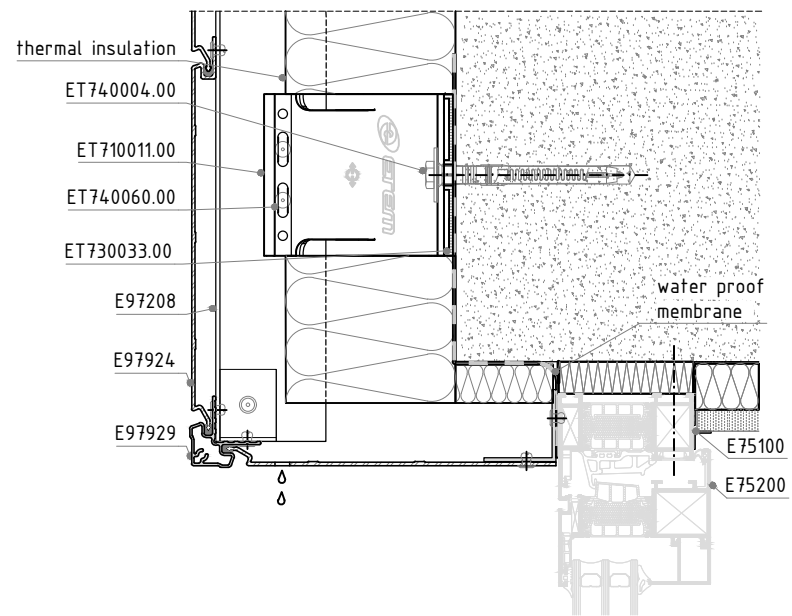
note: TR abbreviation stands for additional treatments (pre-drilled slot holes, etc.). All additional treatments must be accompanied by approved drawings.



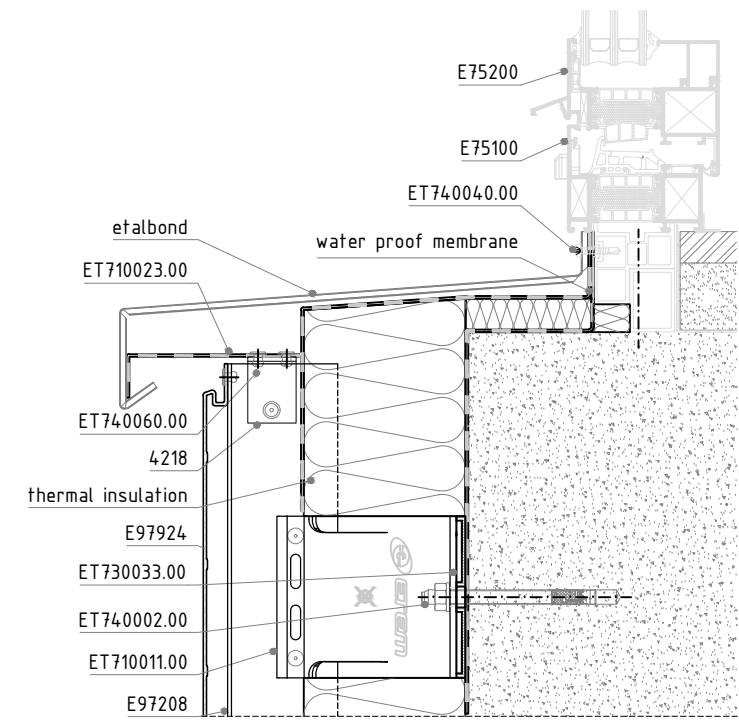
3



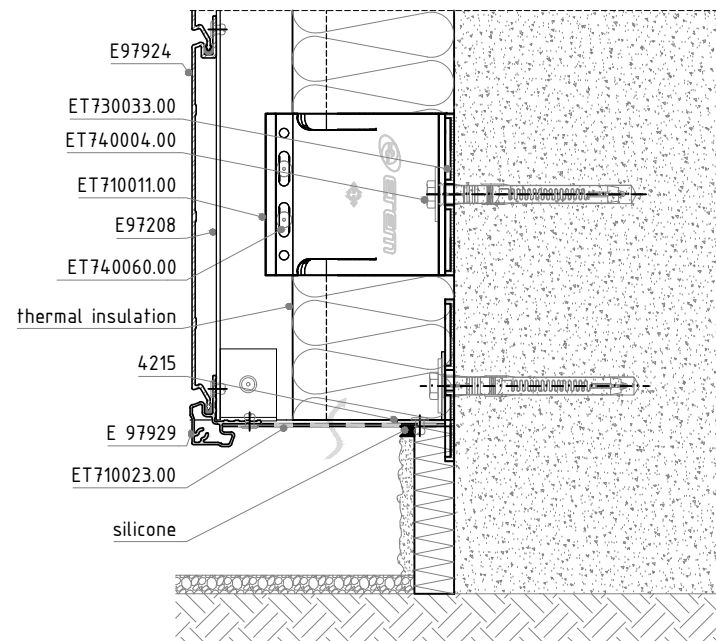
4



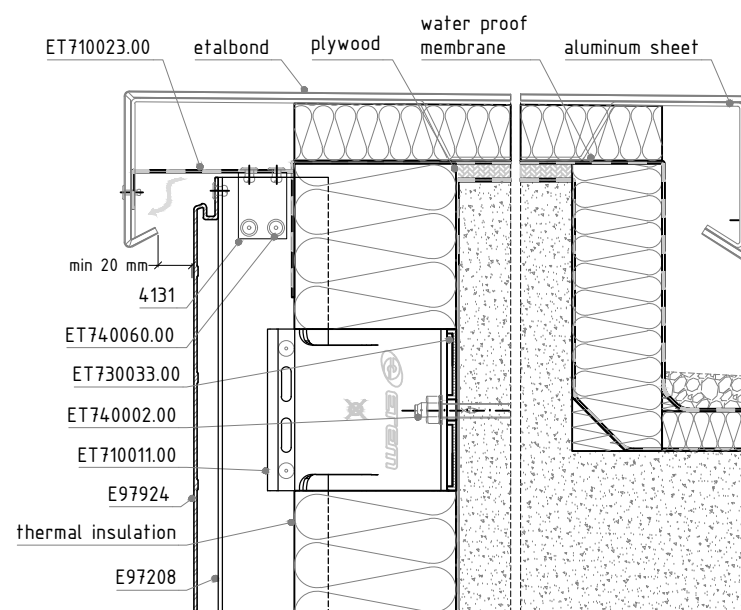
5



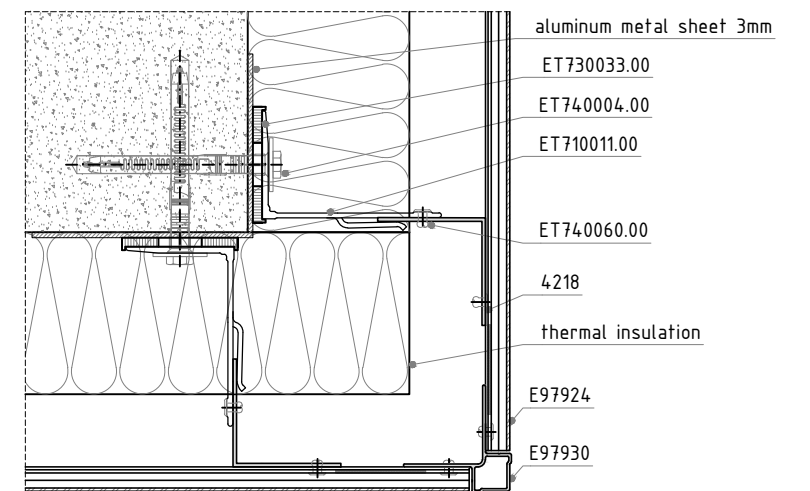
6

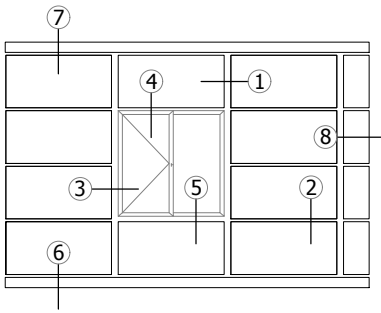


7

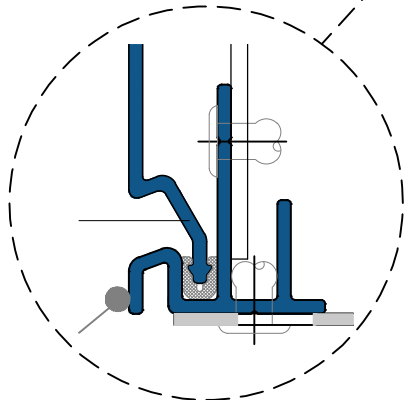
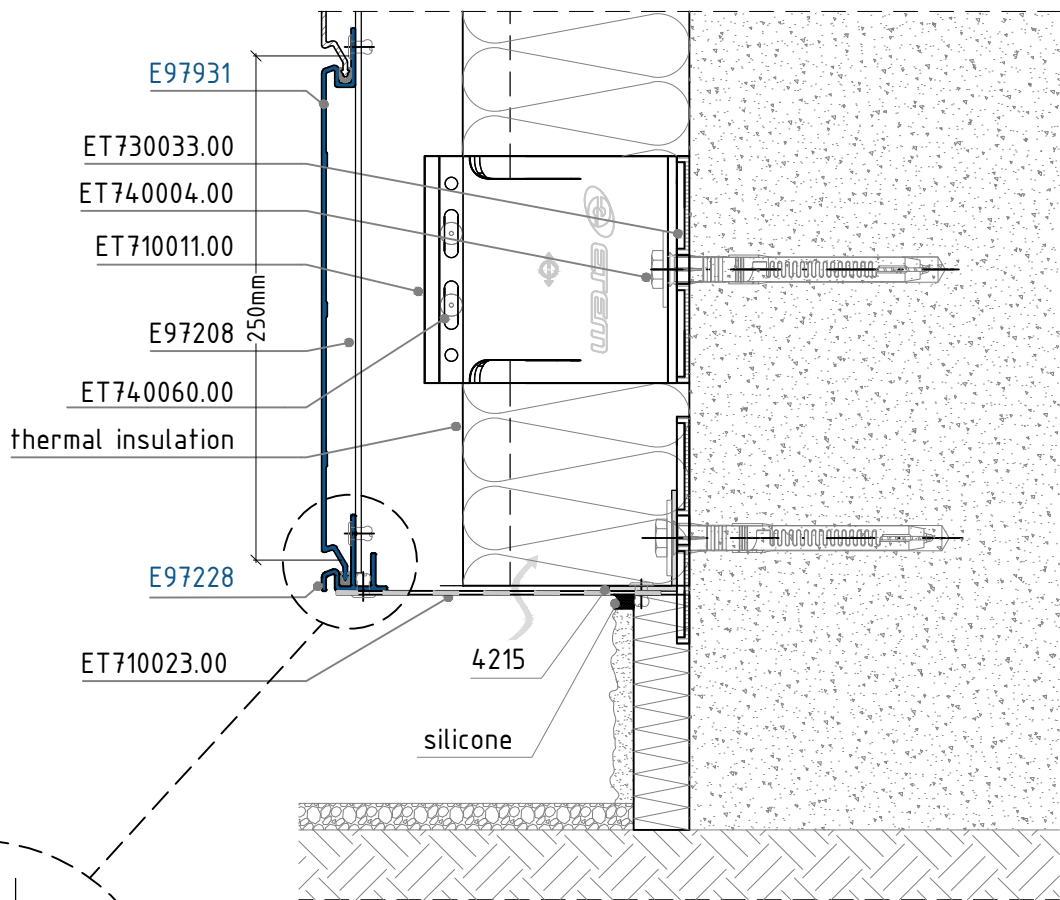


8

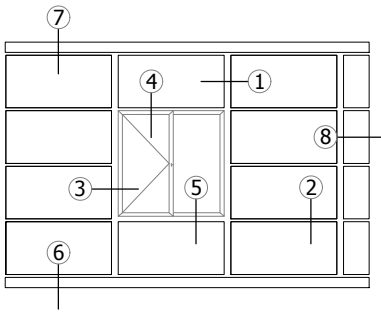




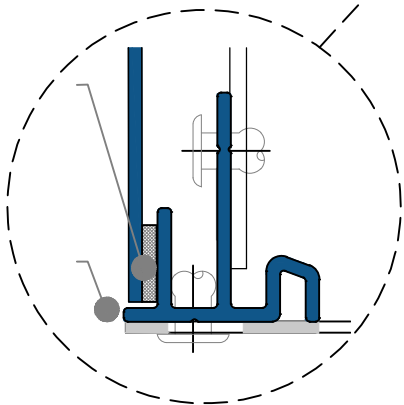
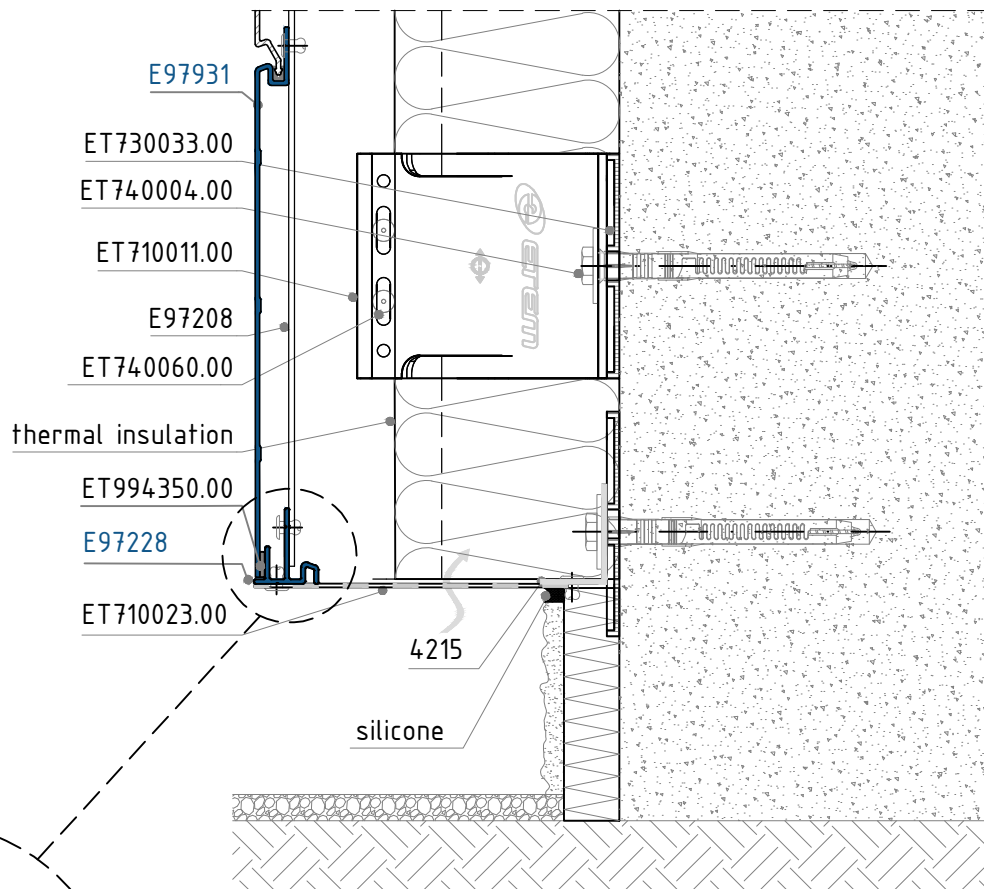
6



Completing the lamella without cutting at the bottom



6



Completing the lamella with cutting at the bottom