

# TECHNICAL BULLETIN

N 91 - 2021. 04

## E50 FLAT

New flat rail E50170  
New epdm flange ET076678.00

Previous related Technical Bulletin: N 88

content:

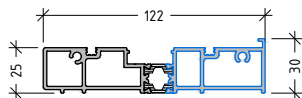
- PROFILES
- PROFILES 1:1
- DETAILS
-

sliding system with thermal break

E50 flat rail

code	Profile	Weight Length Moment of inertia	code	Profile	Weight Length Moment of inertia
------	---------	---------------------------------------	------	---------	---------------------------------------

E50170  
Flat rail



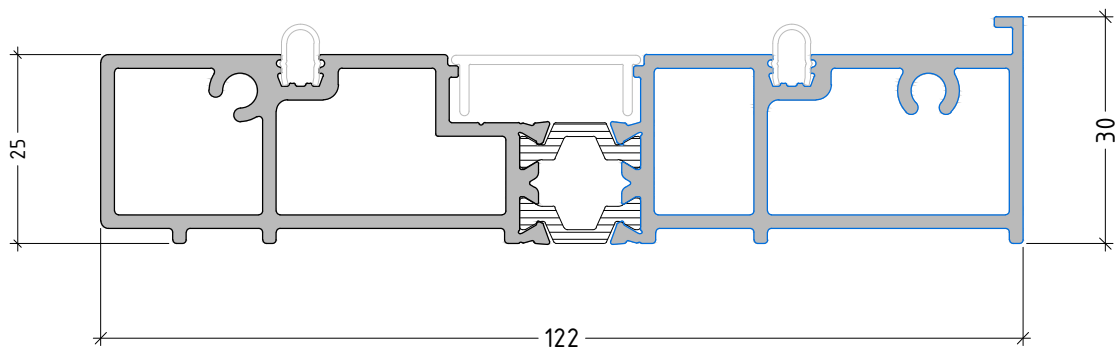
2131 g/m  
L=6.01 m

E50170

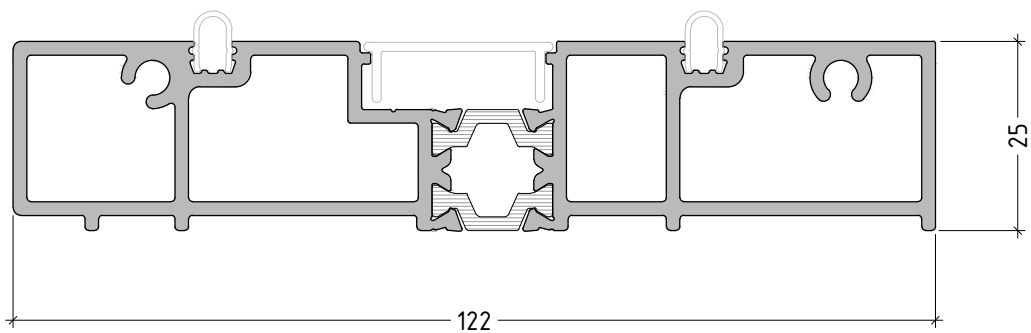
Flat double rail

2131 gr/m

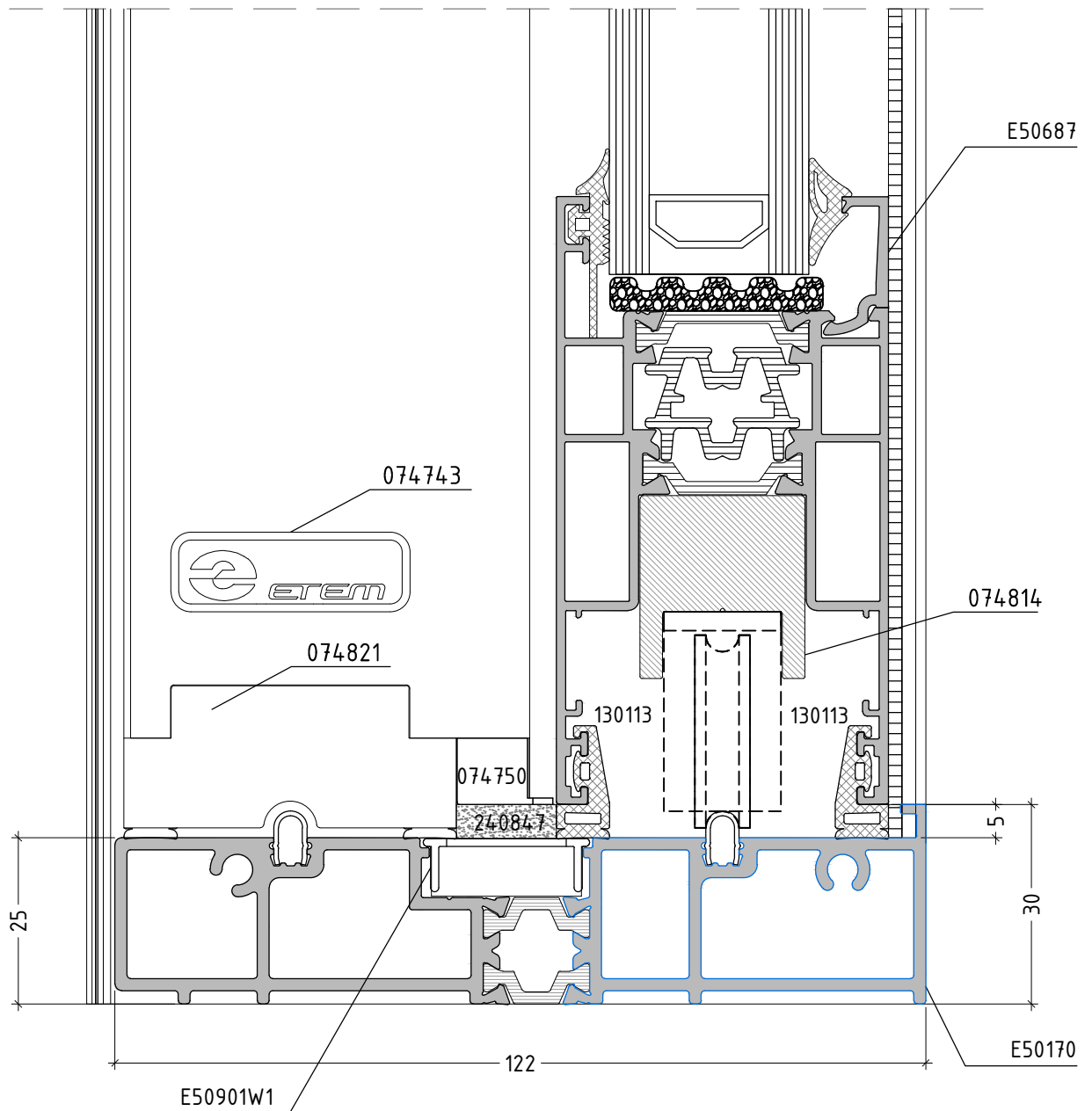
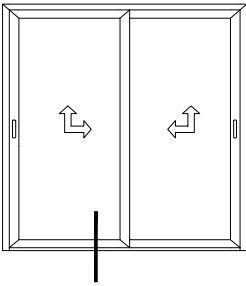
NEW DRAWING



PREVIOUS DRAWING

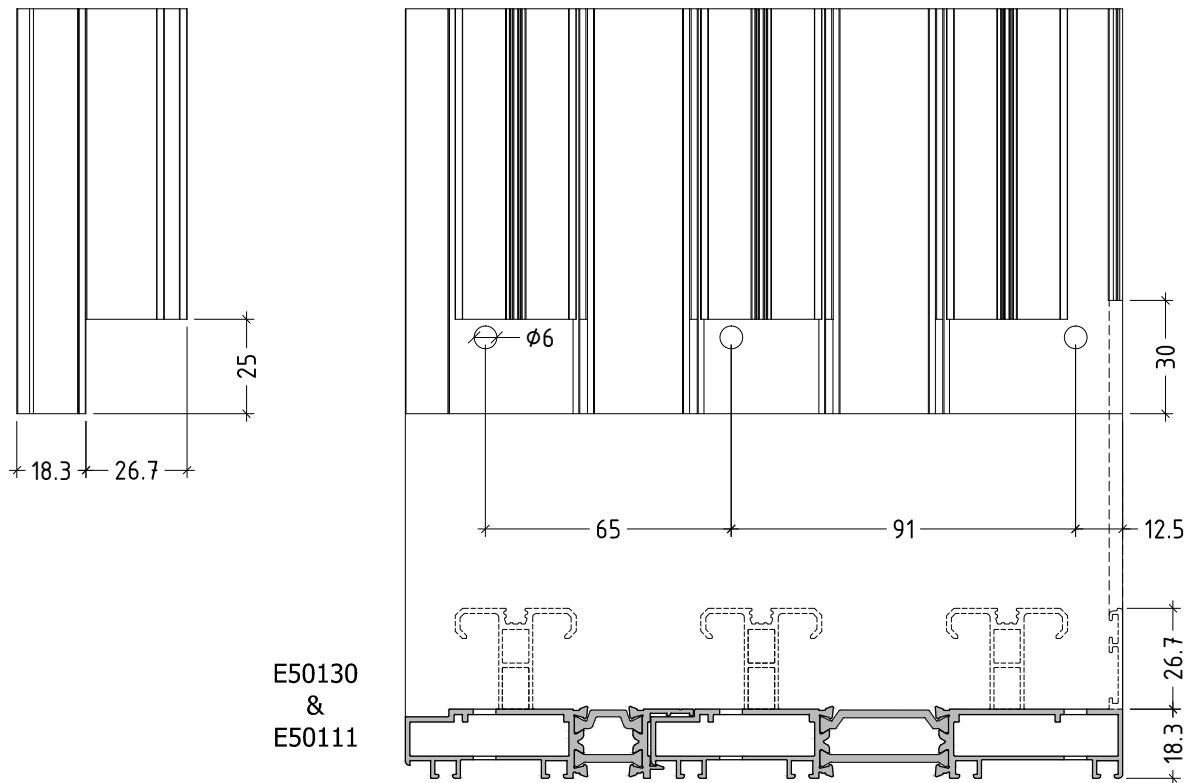
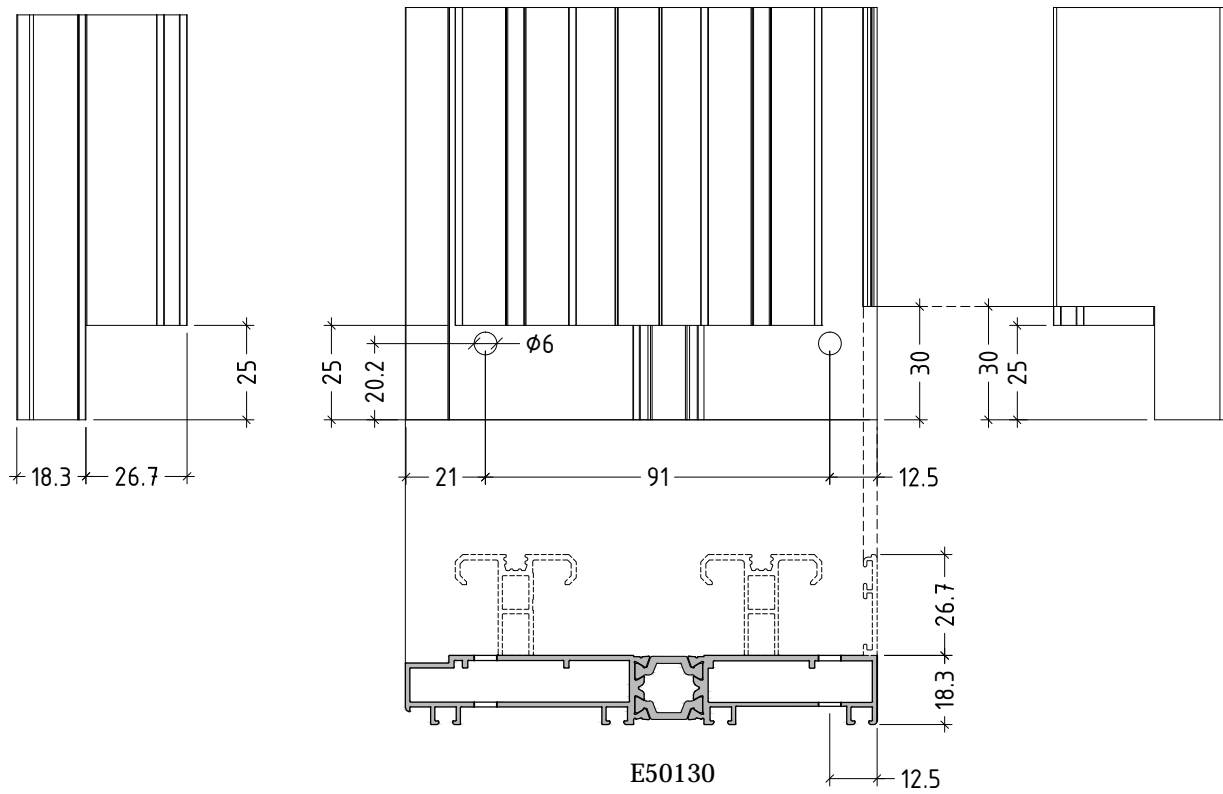


scale : 1:1



scale : 1:1

MACHINING REQUIRED FOR 90° CONNECTION OF DOUBLE & TRIPLE RAILS



INSTRUCTIONS FOR 90° CONNECTION OF RAILS

